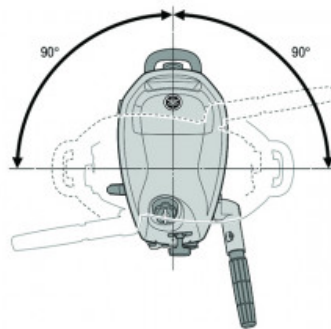
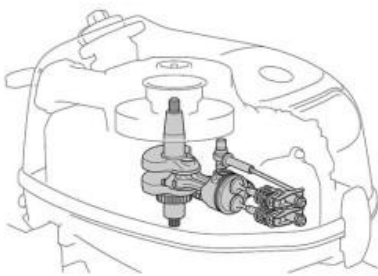




F6



## Specifications

### Boat Details

Price	POA	Boat Brand	Yamaha
Model	F6	Length	0.00
Year	2024	Category	Boat Engines and Outboards
Hull Style		Hull Type	
Power Type	Power	Stock Number	F6CMHL

### Disclaimer

Our company offers the details of this vessel in good faith but cannot guarantee or warrant the accuracy of this information nor warrant the condition of the vessel. A buyer should instruct his agents and/or surveyors to investigate such details buyer desires validated. This vessel is offered subject to prior sale, price change or withdrawal without notice.

Condition  
Suburb

New  
ERMINGTON

State  
Engine Make

New South Wales

---

Disclaimer

Our company offers the details of this vessel in good faith but cannot guarantee or warrant the accuracy of this information nor warrant the condition of the vessel. A buyer should instruct his agents and/or surveyors to investigate such details buyer desires validated. This vessel is offered subject to prior sale, price change or withdrawal without notice.

## Description

Lightweight, compact and economical, Yamaha's single cylinder F6 portable has been designed to be ultra-easy to use and transport. Featuring a specially developed four- stroke, Overhead Valve (OHV) design, this engine delivers excellent fuel efficiency and smooth running. Attention to detail makes Yamaha small engines great - delivering a user experience that stands head and shoulders above anything else.

Technical Specification  
HeightS: 435 [17.1] | L: 562 [22.1]

WeightS: 27 | L: 28

Engine4-Stroke, OHV, 1-cylinder

Displacement139.0

Bore62 x 46

Max RPM4500-5500

LubricationWet sump

FuelCarb

IgnitionCDI

StarterManual Choke

Alternator12V-6Amp with Rectifier Regulator (optional)

OperationTiller Handle

TiltManual Tilt

GaugesN/A

Network GaugesN/A

Fuel Tank1.1

Gear Ratio2.08:1

---

## Engine Details

Horse Power

6

---

### Disclaimer

Our company offers the details of this vessel in good faith but cannot guarantee or warrant the accuracy of this information nor warrant the condition of the vessel. A buyer should instruct his agents and/or surveyors to investigate such details buyer desires validated. This vessel is offered subject to prior sale, price change or withdrawal without notice.